

# MICROSOL 15 MM

Microsol & Microsol Interface 15 mm 2/2 & 3/2 - way valves



Very compact design  
 High flow rate  
 For lubricated and unlubricated compressed air, neutral liquids or gases  
 High cycle rate of up to 2000 cycles per minute  
 Long life - in excess of 100 million cycles\*  
 \* Hit & Hold valves: 10 million cycles  
 Flange mounted

## TECHNICAL DATA

Solenoid valve for air, and neutral liquids or gases

### Operation:

Microsol: Poppet valve, directly actuated with spring return  
 Microsol interface: pilot operated poppet valve, servo assisted

### Switching function:

Normally closed and normally open

### Response time:

8 - 10 ms

### Operating pressure:

0 - 10 bar

### Fluid temperature:

-10°C ... +30°C

### Ambient temperature:

-10°C ... +50°C

### Mounting position:

As required

## MATERIALS

Body: for 2/2 valves PPS, for 3/2 valves PPS, PA, Stainless steel

Seat seal: NBR

Internal parts: Stainless steel, PA 6/6

Actuation	Function	Port	Orifice mm	Flow l/min	Operating pressure bar	Manual override	Hit & Hold*	Voltage	Power (W)	Drawing no.	MODELS
<b>2/2 Direct acting valves</b>											
	NC	Flange	1,1	48	0 - 10	No	No	24V DC	2,0	1	01-211P202-H0+63111+AYZ
	NO	Flange	1,1	48	0 - 10	No	No	24V DC	2,0	2	01-221P202-H0+631A1+AYZ
<b>3/2 Direct acting valves</b>											
	NC	Flange	1,1	27	0 - 10	Push only	No	24V DC	2,0	4	01-311P1011H0+61111+AYZ
	NO	Flange	1,1	27	0 - 6	No	No	24V DC	2,0	4	01-321P1011H0+631A1+AYZ

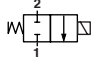
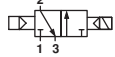
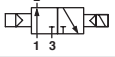
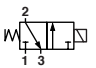
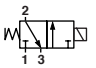
\* PWM energy saving option

Standard conformity: IINERIS 00ATEX0031 X

For further information



[www.norgren.com/info/en3-166](http://www.norgren.com/info/en3-166)

Symbol	Function	Port	Orifice mm	Flow l/min	Operating pressure bar	Manual override	Hit & hold*	Voltage	Power (W)	Drawing no.	MODELS
<b>2/2 Direct acting valves / high flow models</b>											
	NC	Flange	3,6	194	0 - 6	No	Yes	24V DC	12 / 0,5	3	01-211P-036H0+63111+AZN
<b>3/2 Interface valves / high flow models</b>											
	NC	Flange	3,0	194	1,5 - 10	Push only	No	24V DC	1,0	6	01-312E-06-HP+A1171+AYV
	NO	Flange	3,0	194	1,5 - 10	No	No	24V DC	2,0	6	01-322E-06-HP+C31G1+AYZ
<b>3/2 Direct acting valves / intrinsically safe (IS) models***</b>											
	NC	Flange	0,5	8	0 - 7	Push only	No	12V AC/DC	0,55	5	01-311P-00-H0+F01003+BCC
	NC	Flange	0,5	8	0 - 7	Push only	No	24V AC/DC	0,7	5	01-311P-00-H0+F01003+BDH
	NC	Flange	0,5	8	4 - 7	Push only	No	12V DC	0,1	5	01-311P-00-H0+H01014+AWD
	NC	Flange	0,5	8	4 - 7	Push only	No	24V DC	0,1	5	01-311P-00-H0+H01016+AYG
<b>3/2 Direct acting valves / other options as used on M54 range**</b>											
	NC	Flange	0,8	18	0 - 10	Push only	No	12V DC	1,5	4	01-311P101-H0+61511i+AWM
	NC	Flange	0,8	18	0 - 10	Push only	No	24V DC	1,5	4	01-311P101-H0+61511i+AYS
	NC	Flange	0,8	18	0 - 10	Push only	No	24V AC	1	4	01-311P101-H0+11511i+AXX
	NC	Flange	0,8	18	0 - 10	Push only	No	48V AC	1	4	01-311P101-H0+11511i+BAU
	NC	Flange	0,8	18	0 - 10	Push only	No	110V AC	1	4	01-311P101-H0+11511i+BBJ
	NC	Flange	0,8	18	0 - 10	Push only	No	220V AC	1	4	01-311P101-H0+11511i+BCK

\* PWM energy saving option. \*\*\*Standard conformity: IINERIS 00ATEX0031 X

## ACCESSORIES

### Electrical connector



Single connector	<b>M/P43082</b>
Single connector LED+VDR 24V	<b>M/P43086</b>
Single connector LED+VDR 110V	<b>M/P43148</b>
Single connector LED+VDR 220V	<b>M/P43087</b>
Single connector and 1 m flying lead	<b>M/P43066</b>

## ELECTRICAL DETAILS

Voltage tolerance	-10 % / +15 %
Rating	100% E.D.
Electrical insulation	1500V AC
Insulation class	F (155°C)

# MICROSOL 15 MM

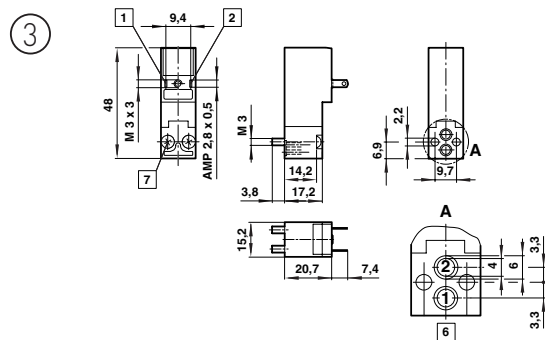
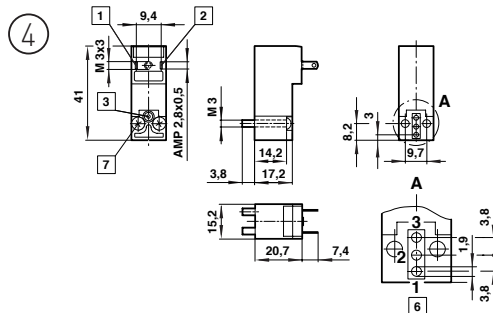
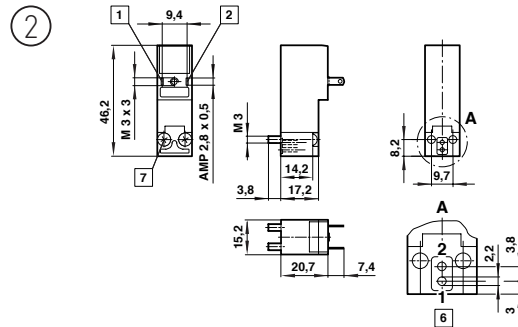
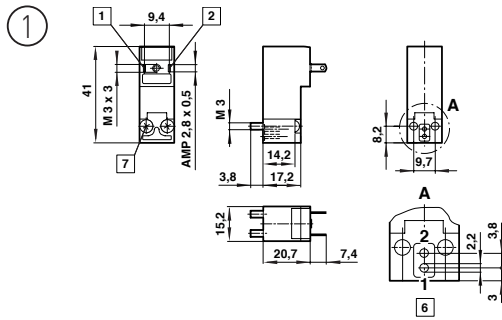
Microsol 15 mm 2/2 & 3/2 - way valves

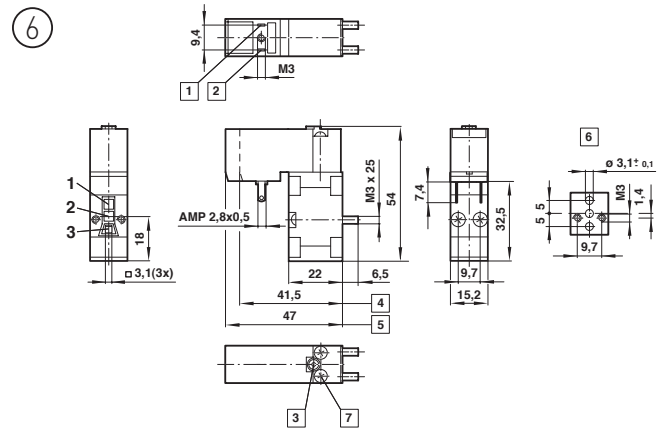
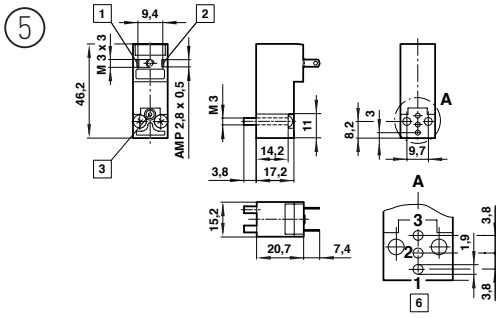
## DIMENSIONS

Index	Description
1	Wire (red) / pin +
2	Wire (black) / pin -
3	Manual override
4	For NC models
5	For NO models
6	Mounting pattern
7	The recommended mounting screw tightening torque is 0,6 Nm.

All solenoids are supplied with mounting screws and gasket.

Warning for Hit and Hold valves: damage could be caused to the valve if wired incorrectly.





Electrical connector\*

