



Generalities

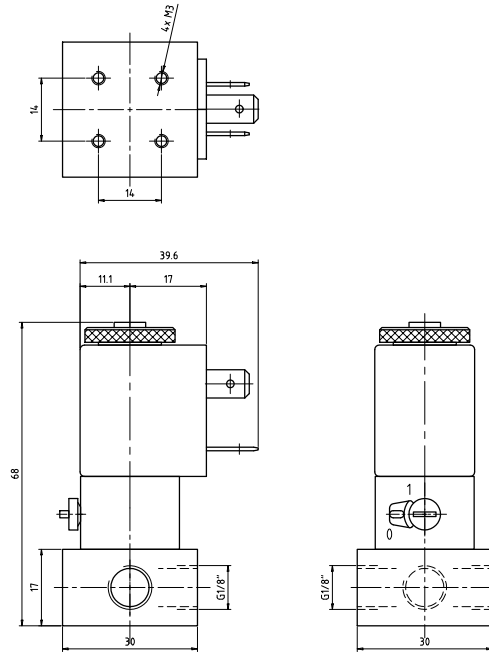
I-subbases allow the compact mounting of one or more Intersol solenoid valves in a cost effective way.

I-subbases allow a wide choice of functional combinations of direct acting 2/2 and 3/2 ways solenoid valves as well as a wide range of connection. Multifunction is possible with the help of a NC to NO adapter (I 9000).

I-subbases have a common pressure inlet, individual outlet and one common collectable exhaust.

In the case of a normally opened function, exhausts or pressure entry can have a M5 connection.

The sets can be delivered entirely mounted. It is recommended to specify the desired solenoid valve type for each position.

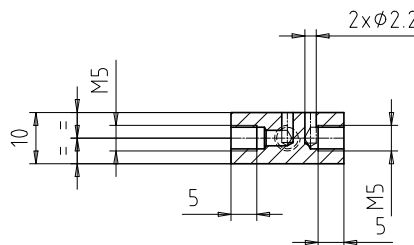


I9001

Order number

1 position	: I9001
2 positions	: I9002
3 positions	: I9003
4 positions	: I9004
5 positions	: I9005
6 positions	: I9006
Material	: anodised aluminum

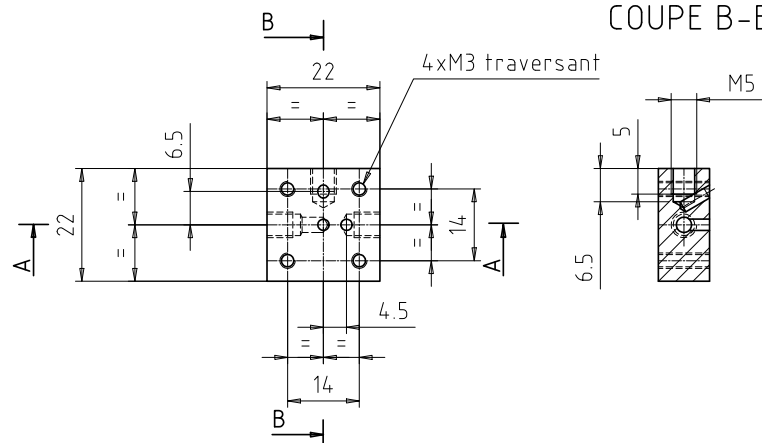
COUPE A-A



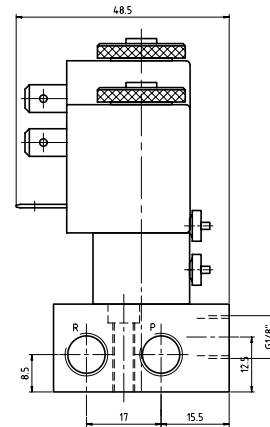
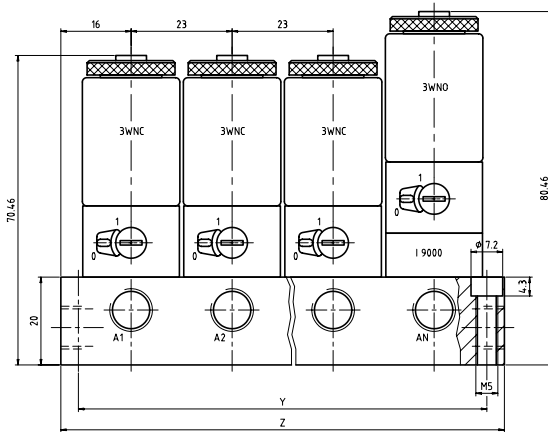
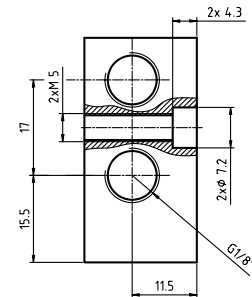
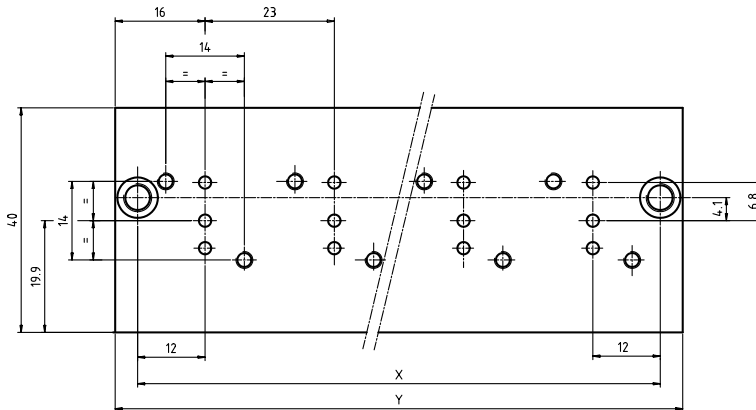
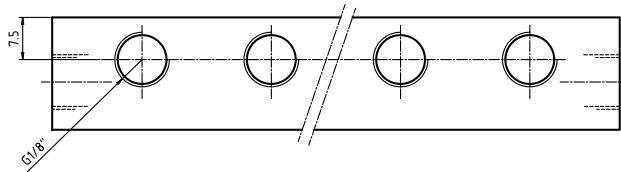
Accessories

Order number	
Blanking plate	: EB6000
NC to NO adapter	: I9000

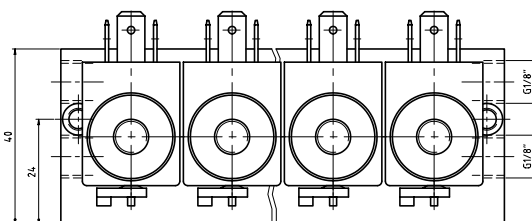
COUPE B-B



POS.	X	Y
2	47	55
3	70	78
4	93	101
5	116	124
6	139	147
7	162	170
8	185	193
9	208	216
10	231	239

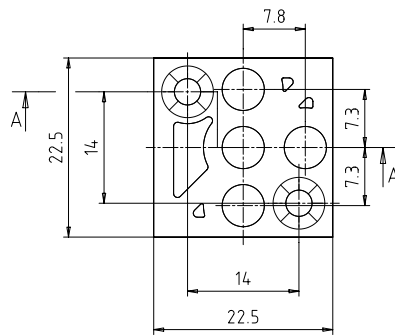
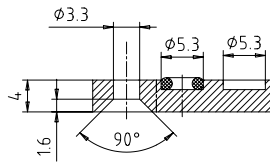


POS.	Y	Z
2	47	55
3	70	78
4	93	101
5	116	124
6	139	147
7	162	170
8	185	193
9	208	216
10	231	239

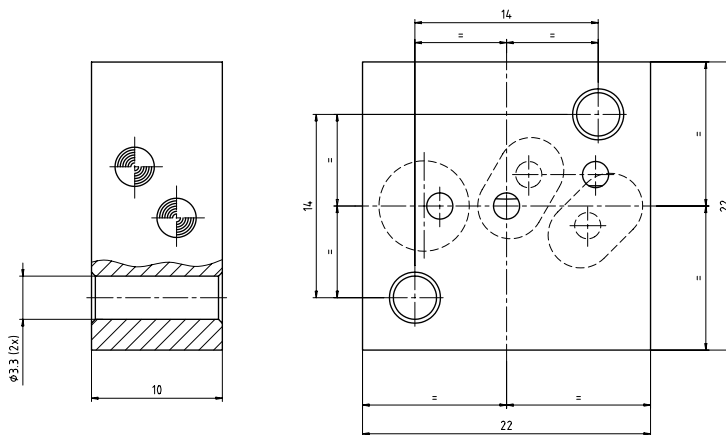


I9002 - I9010

COUPE A-A



EB6000



I9000